

You
don't
need to
pay a lot of
money for
high quality.

**Meet with
our new
generation
bioclimatic**

Sky Cloud.

Rotating Panel Moving roof system producing by SUNSET

www.sunsetpergola.com.tr

Main differences of our Bioclimatics

Technical Details



PANELS

Specialized 3 type panel design.



WATER

Special solutions against water leakage and evacuation.



NOISE

Silent system mechanism.



LIGHTING

Easy repair lighting system.



INSTALLATION

System designed for easy installation.

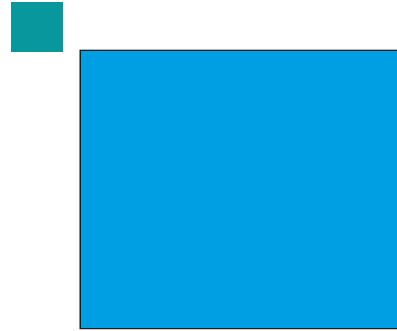
3 TYPES

Sky Cloud

Our SkyCloud has three types.
This types depend on roof panel design.
Other details (rails, pillars, gutters)
is the same designed.

High Quality Material

Every parts designed with using specific material
like aluminium, plastic and steel.



most editable
product.

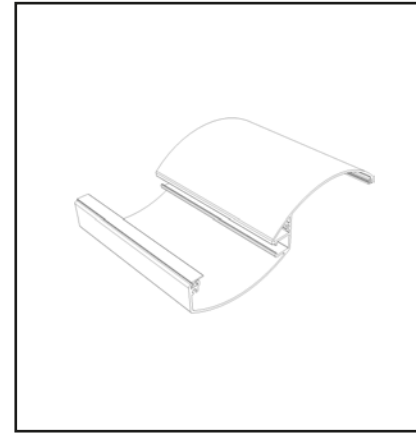


Sky Cloud

Eco

BUDGET-FRIENDLY

If you want to use our SKYCLOUD, you don't have to allocate a big budget.



Difference?

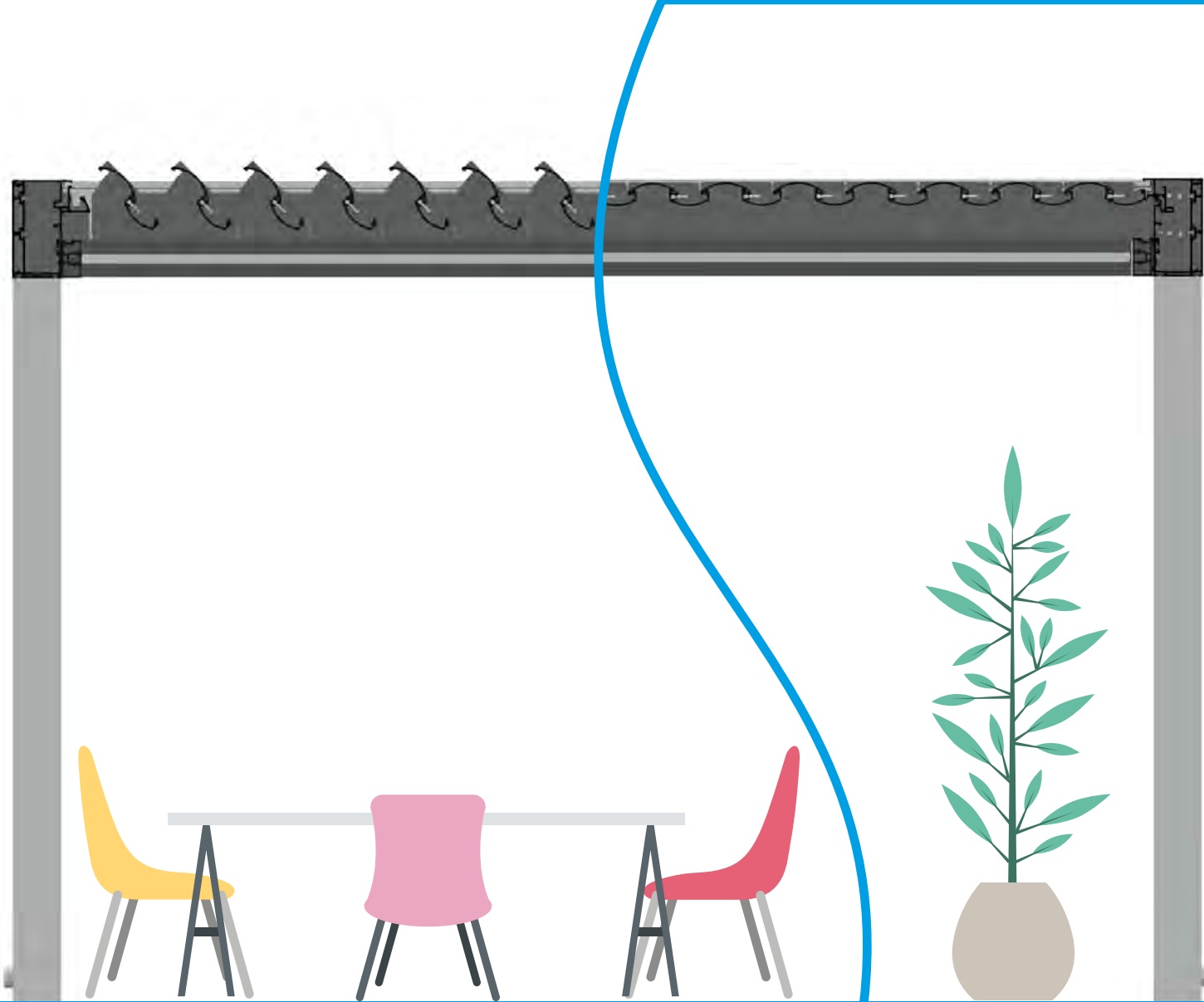
Economic panels designed thin.



Advantage?

More space with a low budget





Most Economic More Elegant

Explain

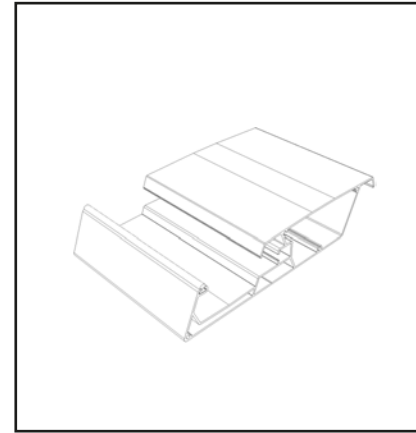
On the left you can see the half opened and half closed SKYCLOUD-ECO cross-section photo.



Sky Cloud Active

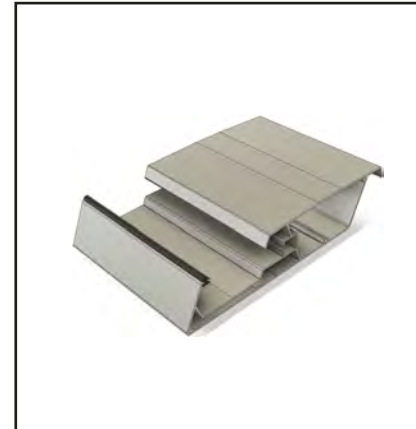
Ergonomic Design

More living space with ergonomic product design.



Difference?

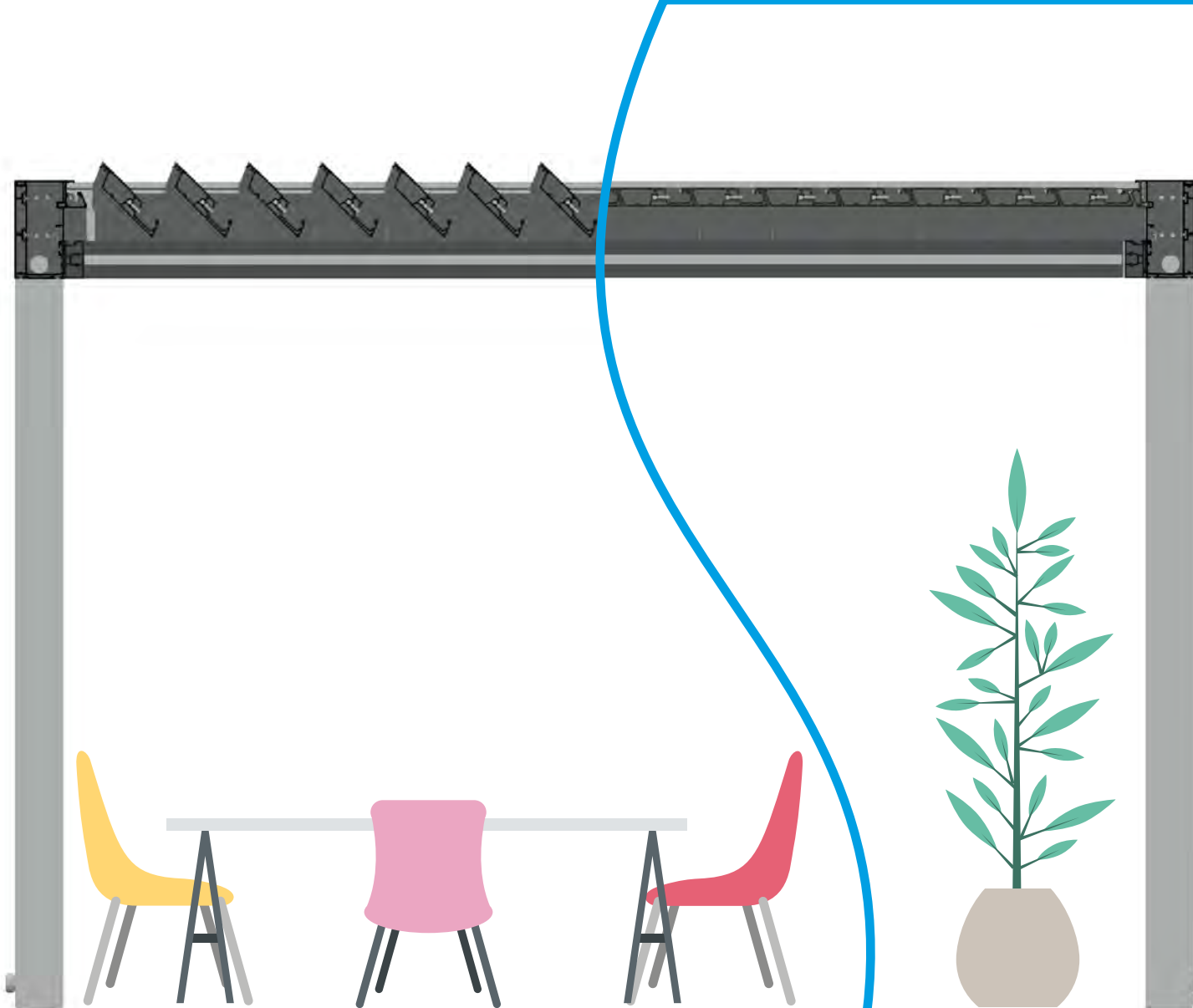
Stronger special panel design



Advantage?

A more ergonomic design





Design more elegant living spaces with us.

Explain

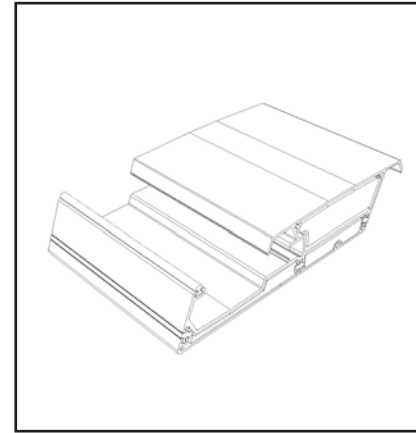
On the left you can see the half opened and half closed SKYCLOUD-ACTIVE cross-section photo.



Sky Cloud Maxi

More Durable

A durable design to the extreme weather conditions.



Difference?

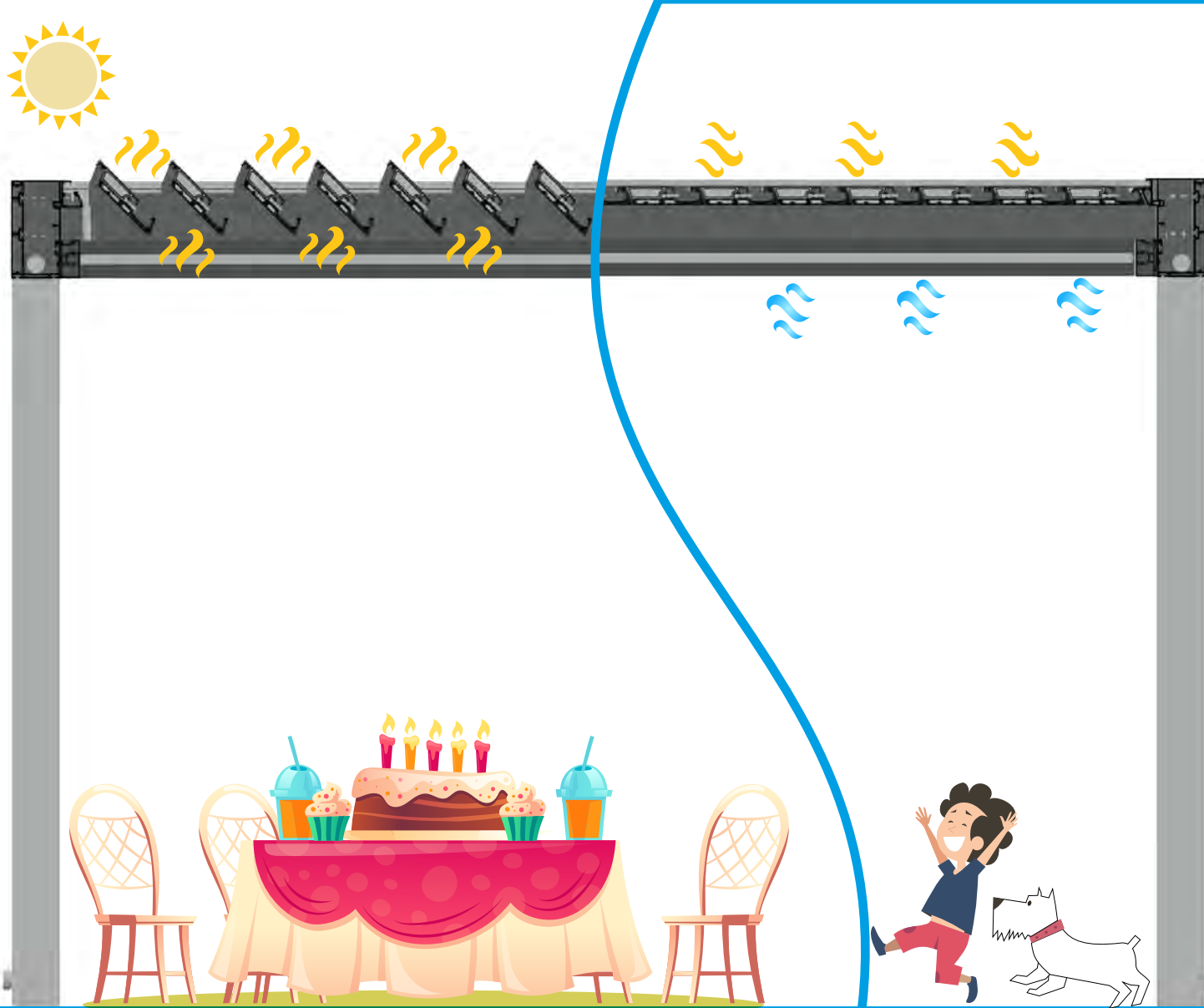
Three-layered heatproof panel design



Advantage?

Design suitable for very hot and cold weather conditions



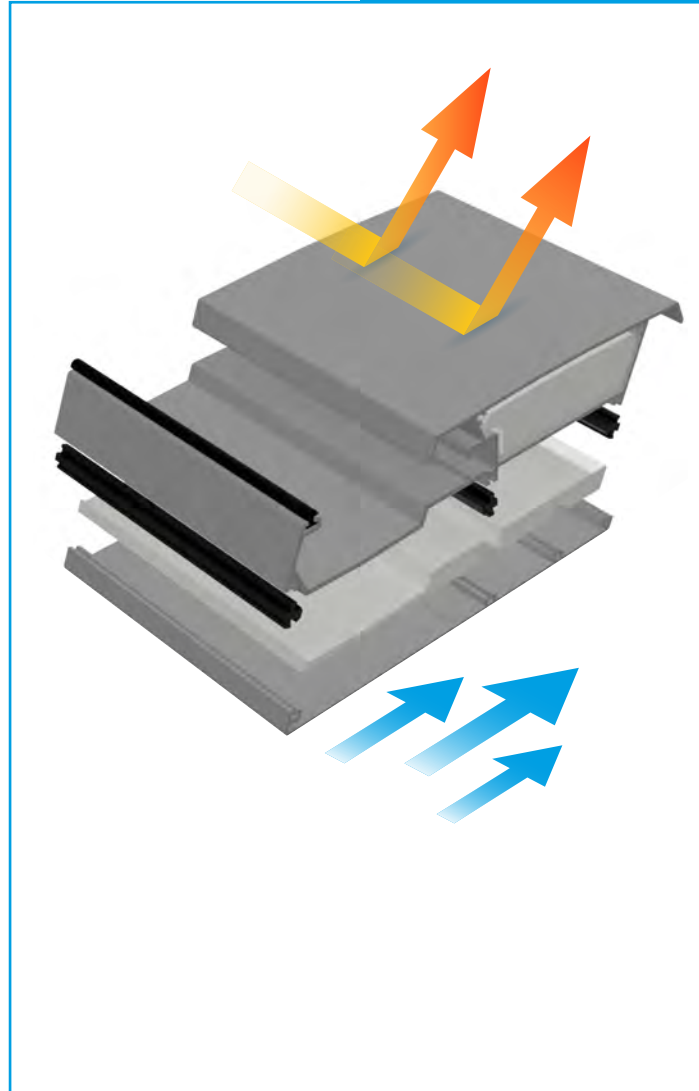
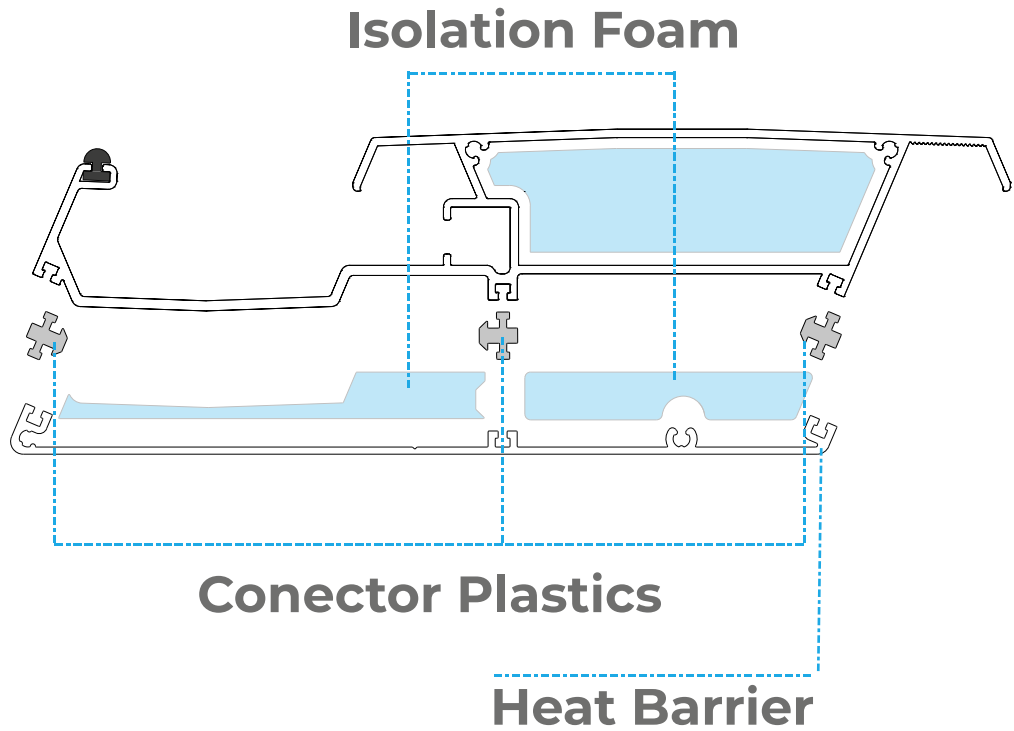


Maxi can keep you birthday cake against melting.

Explain

On the left you can see the half opened and half closed SKYCLOUD-MAXI cross-section photo.

Layers explanation for the
SKYCLOUD MAXI



Hot Weather

Outside environment conditions.

Isolation Foam

Panels inside foam

Aluminium Profile

Panels general profile

Connector Plastics

Plastics for connection top and bottom profile

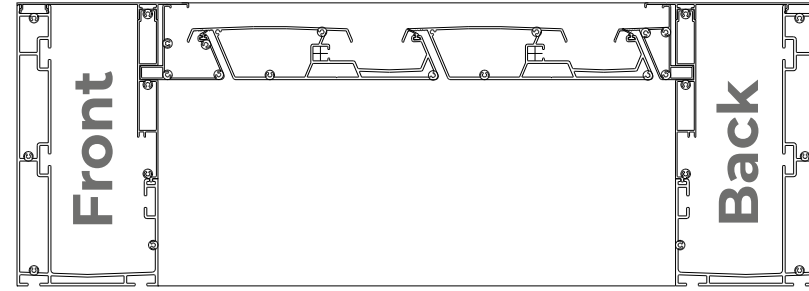
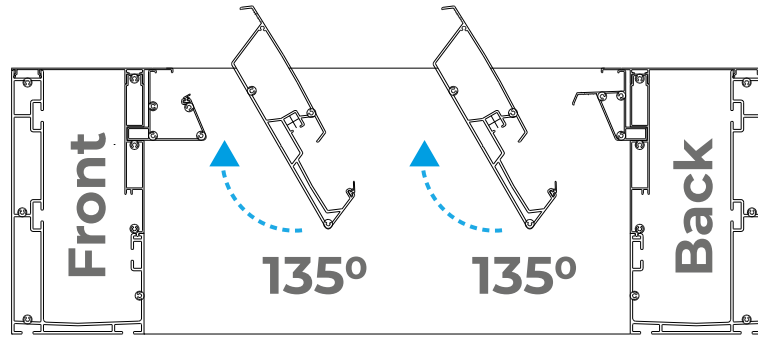
Cold Weather

Inside environment conditions.



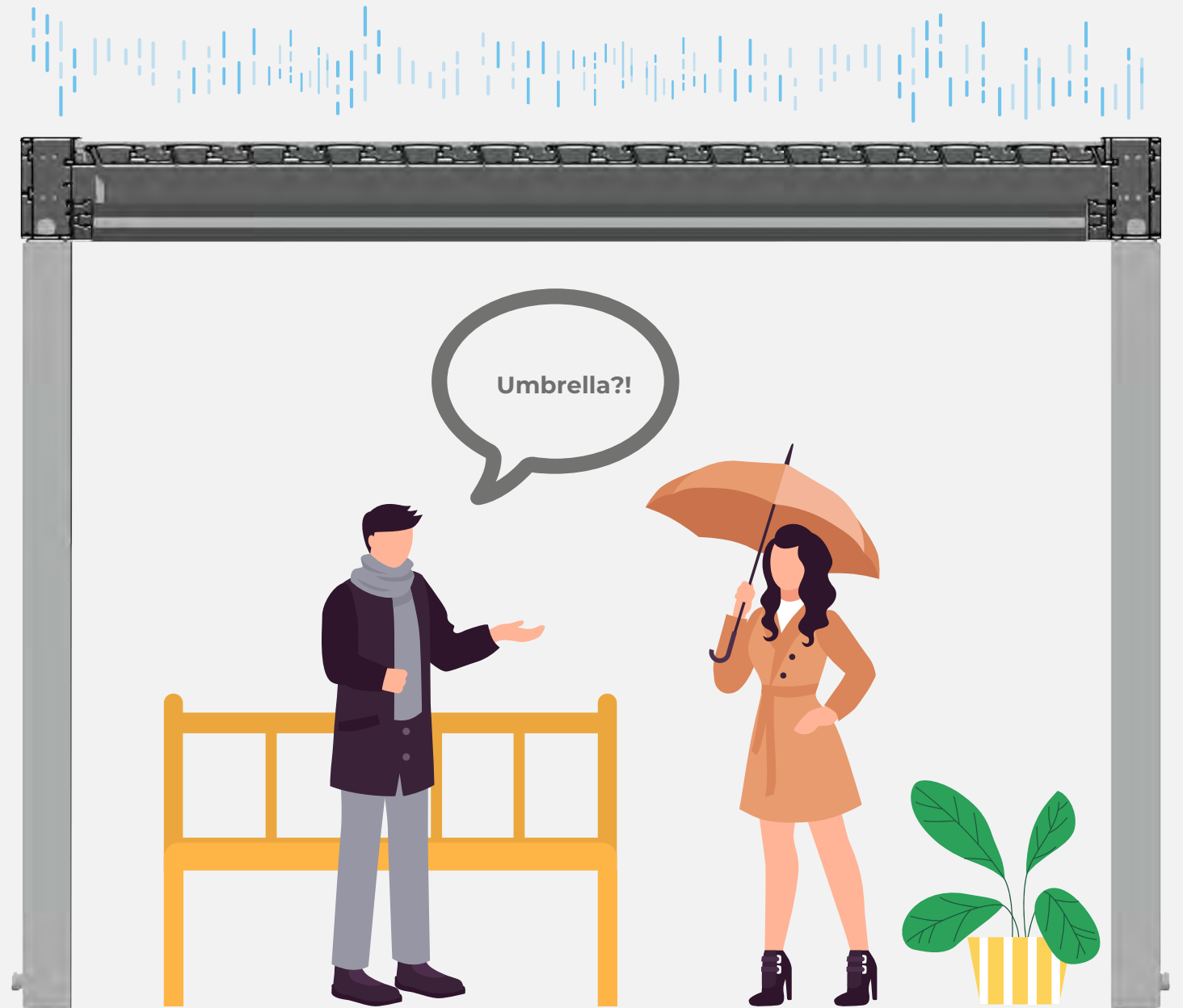
SKYCLOUD PANEL WORKING STYLE

Maximum Degree of Rotation of the Panels is 135°

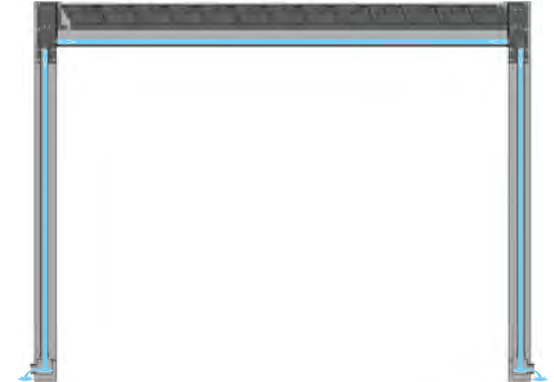
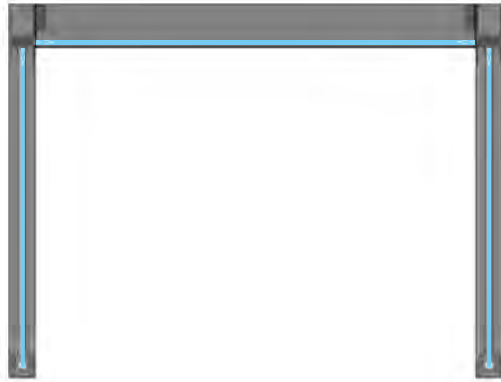


Umbrella under the SkyCloud?

Of course
funny...

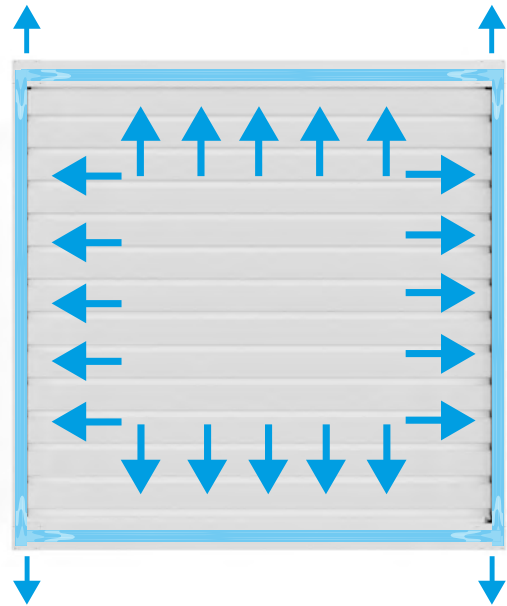
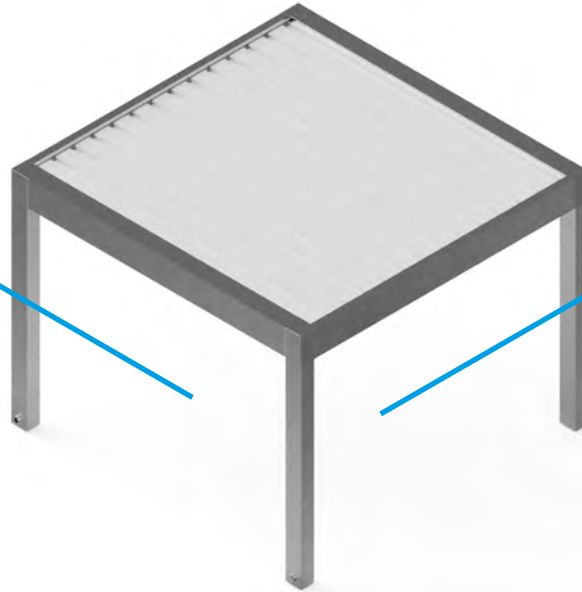


Four Side Water Draining



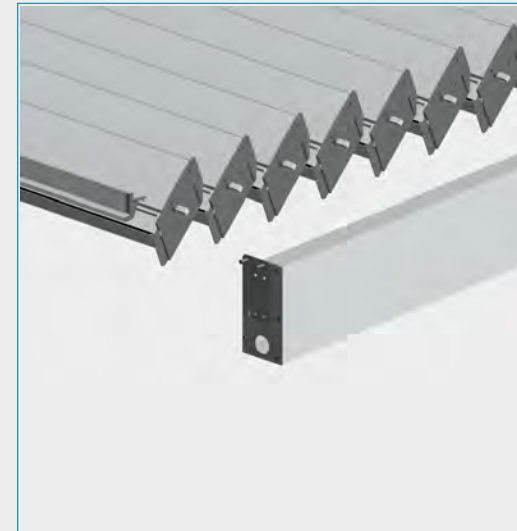
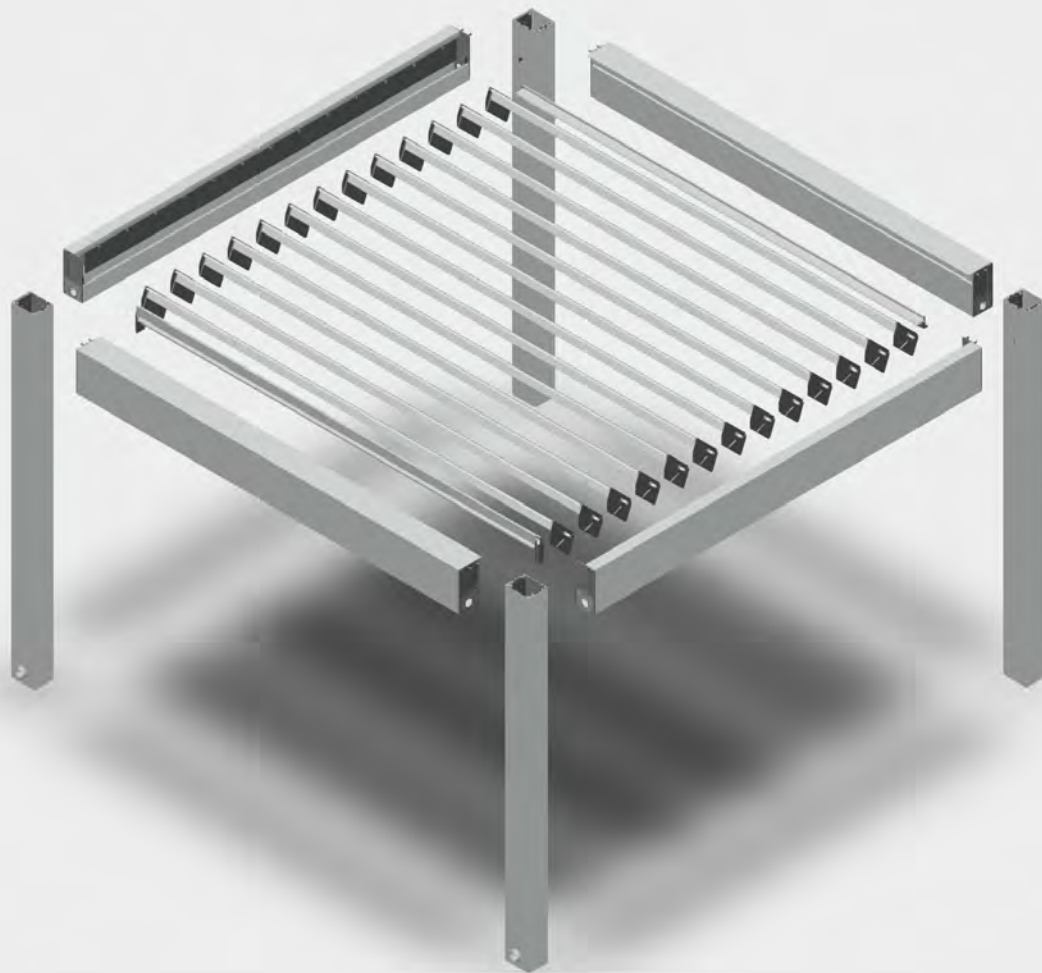
Front View

Side View



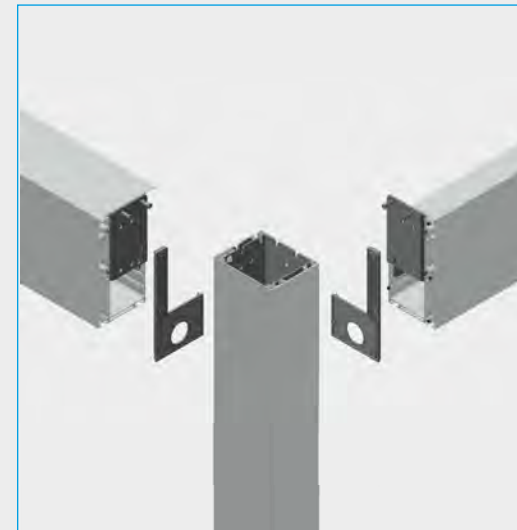
Plan View

New type of the SKCLOUD with the four side water draining system. Front and back gutters, side gutters working together during rain, for water draining.



Plactics

We add side plastics to the panel profiles. These plastic blocks block the flow of water and direct it towards the side gutters.



Gasket

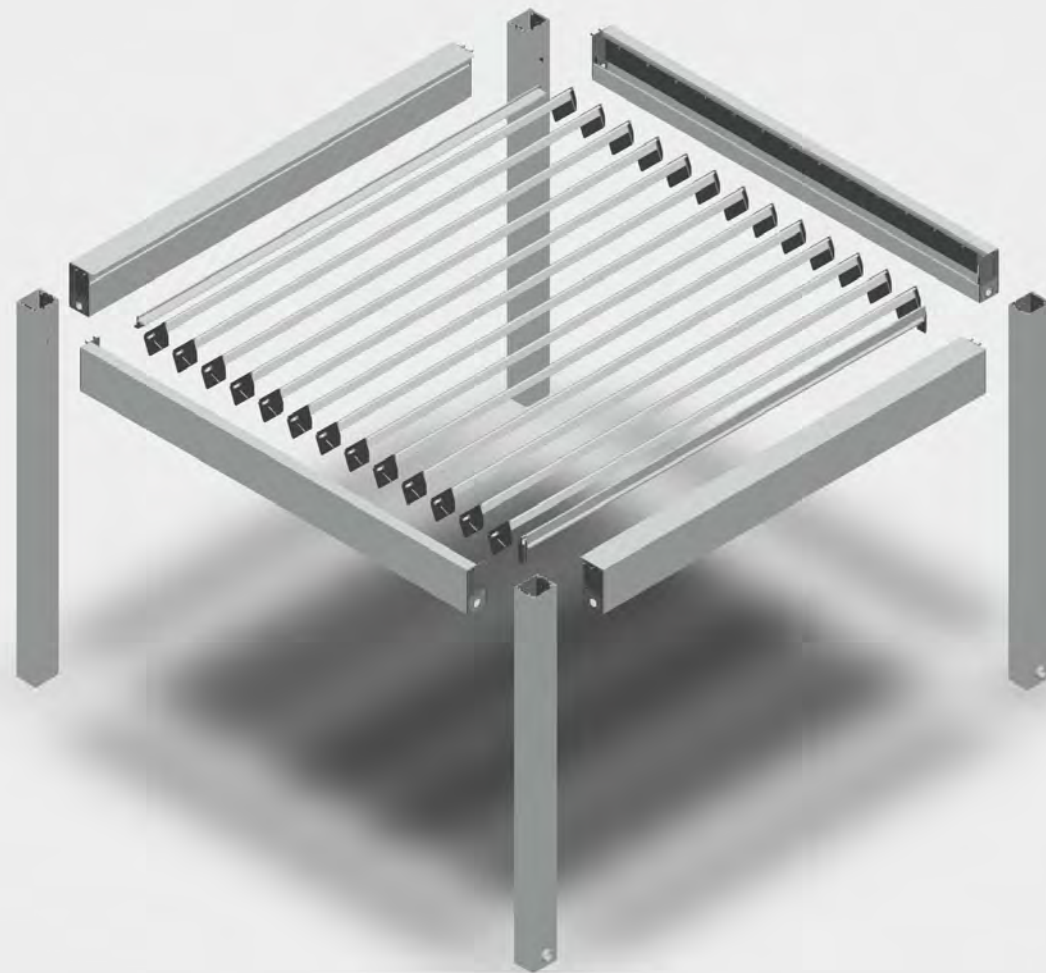
Plate gaskets as shown on the picture below, to prevent water leakage at joints.



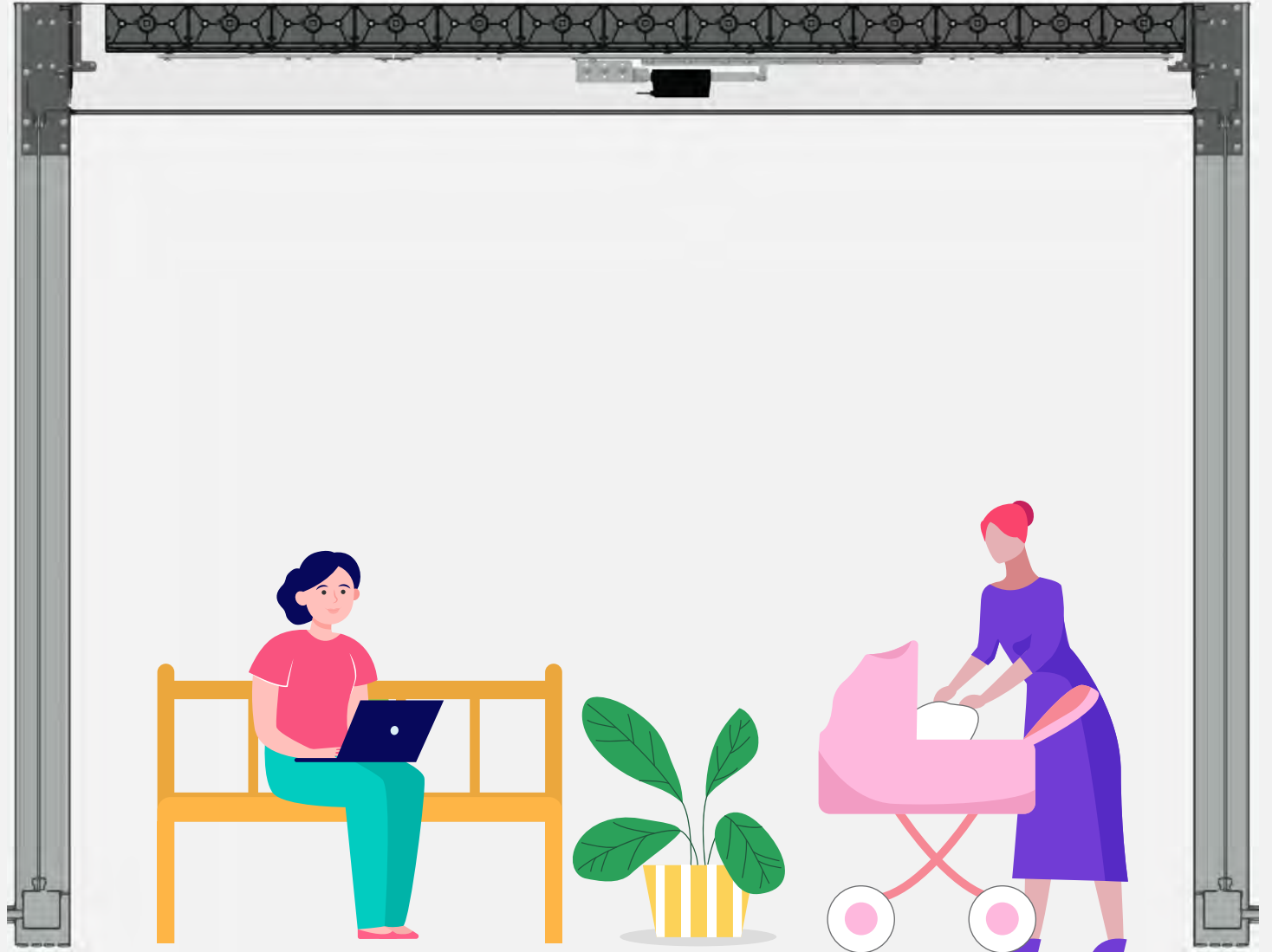
You can use your product easily even in the heavy rain.

Filters

At corner joints between pillars & gutters, we are using special plastic filters for water draining.

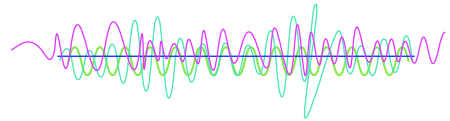


**The sound
of the
SKYCLOUD
does not
disturb
anyone,
even the
sleepers.**

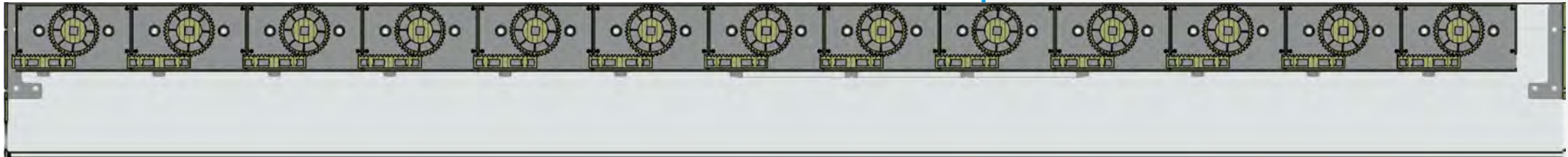
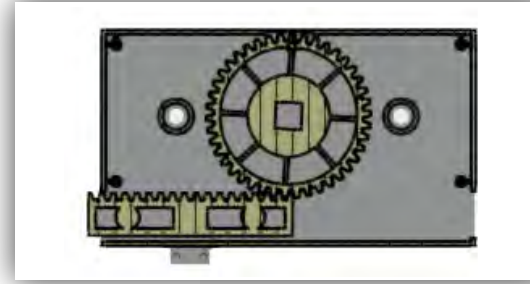


A quiet place for you

New type SkyCloud systems used gear wheel mechanical system. So during panels movement there is to low loudness because of plastic gear wheel.



< 40 dB



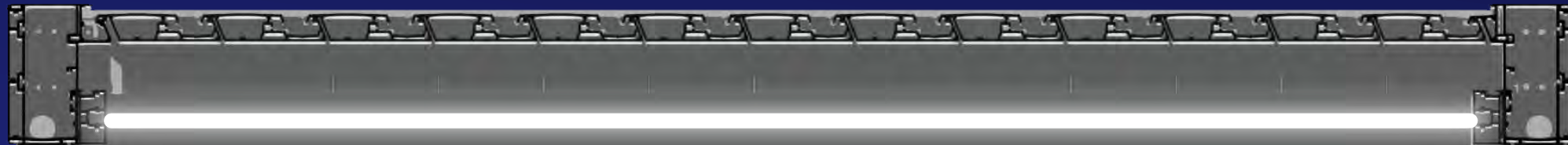
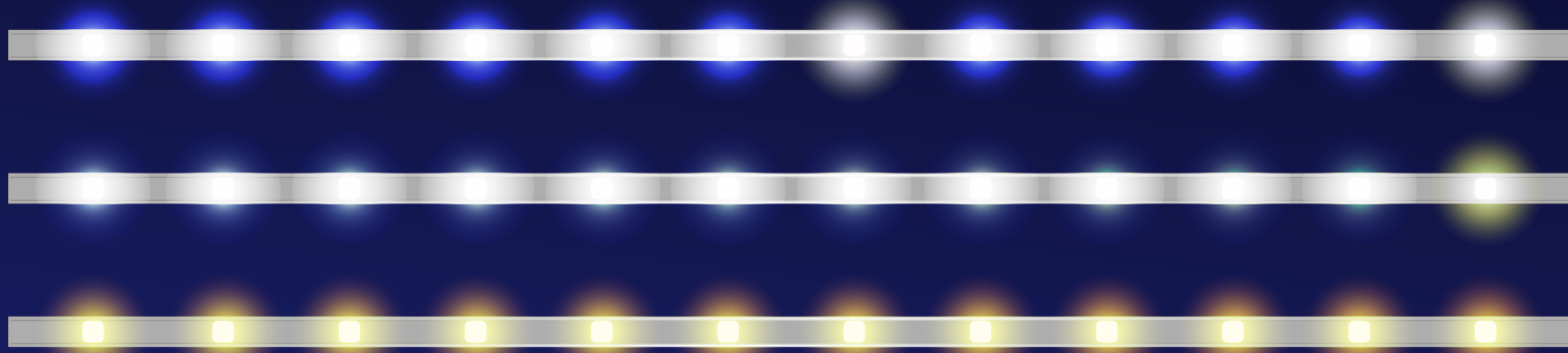
**Perfect
Lighting...**

**But
If there any
problem**

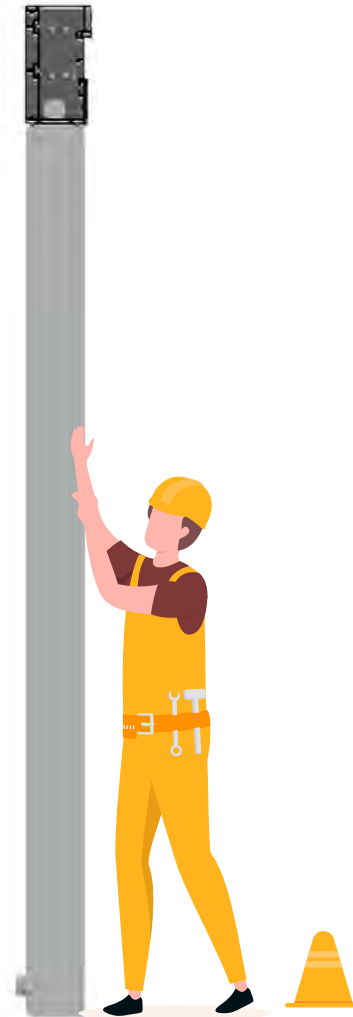


Easiest problem solving

Easy repair card-lighting systems.
If any lamp fails, it is possible to quickly replace a single board. And we are present to our customers with different color options.



**Did you
know that
SKYCLOUD
can only
be installed
in 5 steps.**



**For 6x4 m
example
product,
total
installation
time
approximately
8 hours.**



SKYCLOUD G-3

